

Semi-hermetic piston
refrigeration compressor



**SOCIETE SUD INDUSTRIE
SUDIND**





Products features

The compressors of Daming suit different working condition and refrigerants, try to maximally satisfy your requirements for the refrigerating system.

- 1 Developed technology, compact dimension
Small volume and space
- 2 High precision machining to ensure the compressor confirm with the standard
CNC processing center
Concentricity due to specific processing technology
minimal dead space
- 3 steady operation, small vibration and low noise
Excellent stability
- 4 R22, R404, Refrigerant like R22 and R404 are adopted to protect the environment
For mid & low temperature application
- 5 Electrical motor protect device
PTC sensor
- 6 wear resistant driver gear
Chrome plated piston rings and aluminium pistons
Hardened crank-shaft
Less friction
- 7 Efficient valve plate design, high refrigerating capacity and low energy consumption
Efficient compression rate
Valve reed made of imported impact resistant spring steel
- 8 General spare parts, convenient for maintenance.



Nomenclature

2CS-300—3CS-1500

S Semi-hermetic

2 Cylinders

300 ×10
Horse-power

C Series code

4S151D—6S501G

4/6 Cylinders

S Model

15 Horse-power

1 Series code

D/G D for low condensing temperature,
G for mid & high condensing temperature

2TS-200—6WS-5000H

2/4/6 Cylinders

S Semi-hermetic

H H for mid & high condensing temperature

200 ×10
Horse-power

T/V/W Series code

6WDS-20.2—6WDS-30.2

6 Cylinders

W Type

DS Double Stage

20 Horse-power

2 Series code



Technical Data

Compressor Model	Nominal Motor-Power Hp/kW	Displacement m ³ /h 50/60Hz	Number Of Cylinder x Diameter x Stroke mm	Suction, Discharge Line mm		Oil Volume L	Power Supply V/Φ/Hz	Electrical Parameter		Crankcase Heater (220v) W	Oil Supply Method	Weight kg
				DL Discharge Valve	SL Suction Valve			(A) Max Operating Current	(A) Starting/Locked Current			
2CS-300	3/2.2	12.2/14.6	2 x Φ47.6 x 39.2	Φ 16	Φ 19.05	1.25		5.2	24/26	60	Splashing lubrication	62
2CS-400	4/3	14.7/17.8	2 x Φ54 x 37	Φ 19.05	Φ 25.4	1.85		7.6	38/44	60		85
2CS-500	5/3.7	18.4/22.1	2 x Φ54 x 46	Φ 19.05	Φ 25.4	1.85		7.6	38/44	60		87
2CS-800	8/5.5	26.6/32.1	2 x Φ64 x 48	Φ 25.4	Φ 31.75	3.5		15	74/81	120		133
2CS-1000	10/7.5	36/43.2	2 x Φ64 x 64	Φ 25.4	Φ 31.75	3.5		15.6	93/103	120		137
3CS-1500	15/10.5	54/64.8	3 x Φ64 x 64	Φ 28	Φ 38.1	4.8		22.3	133/150	180		172
4S151D	15/10.5	73.6/88.8	4 x Φ70 x 55	Φ 28	Φ 42	4	380-420/3/50 440-480/3/60	31	81/132	140		183
4S251G	25/18.5	73.6/88.8	4 x Φ70 x 55	Φ 28	Φ 54	4.5		45	116/193	140		203
4S201D	20/15	84.5/101.9	4 x Φ75 x 55	Φ 28	Φ 54	4.5		37	97/158	140		192
4S301G	30/22	84.5/101.9	4 x Φ75 x 55	Φ 28	Φ 54	4.5		53	135/220	140		206
6S251D	25/18.5	110.5/133.4	6 x Φ70 x 55	Φ 35	Φ 54	4.75		45	116/193	140	224	
6S351G	35/25.5	110.5/133.4	6 x Φ70 x 55	Φ 42	Φ 54	4.75		61	147/262	140	235	
6S321D	30/22	126.8/153.0	6 x Φ75 x 55	Φ 42	Φ 54	4.75		53	135/220	140	228	
6S401G	40/30	126.8/153.0	6 x Φ75 x 55	Φ 42	Φ 54	4.75		78	180/323	140	238	
6S401D	40/30	151.6/183.0	6 x Φ82 x 55	Φ 42	Φ 54	4.75		78	180/323	140	239	
6S501G	50/37	151.6/183.0	6 x Φ82 x 55	Φ 42	Φ 54	4.75		92	226/404	140	241	

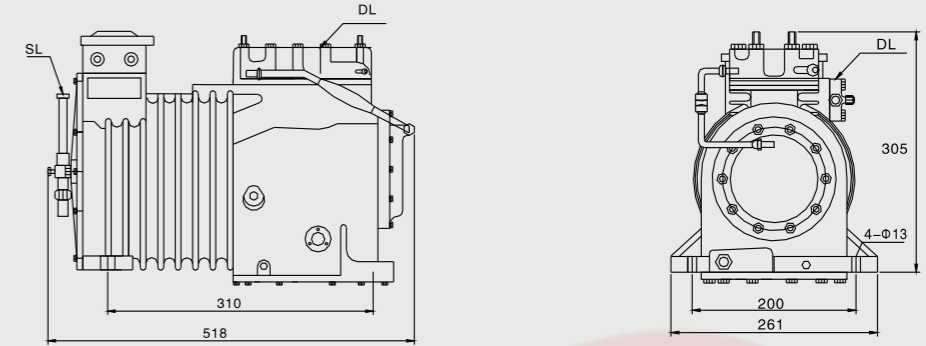


Technical Data

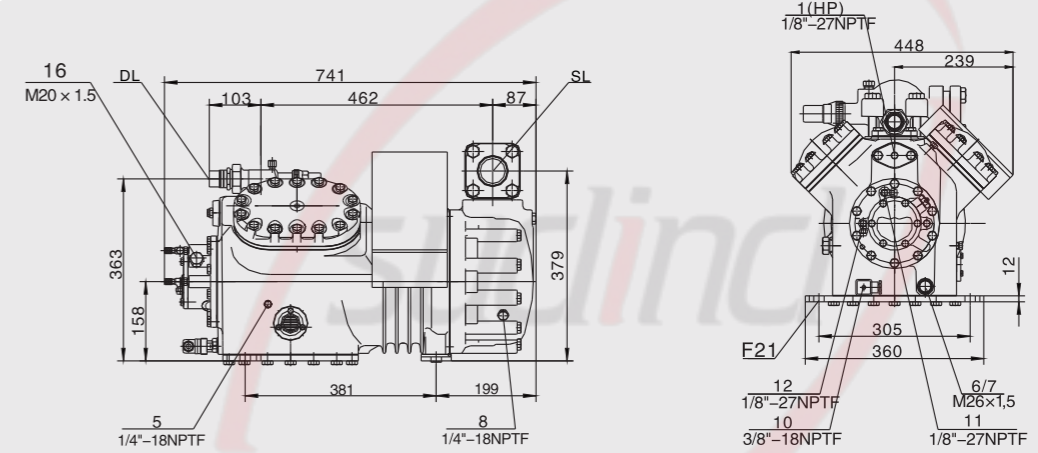
Compressor Model	Nominal Motor-Power Hp/kW	Displacement m ³ /h 50/60Hz	Number Of Cylinder x Diameter x Stroke mm	Suction, Discharge Line mm		Oil Volume L	Power Supply V/Φ/Hz	Electrical Parameter		Crankcase Heater (220v) W	Oil Supply Method	Weight kg
				DL Discharge Valve	SL Suction Valve			(A) Max Operating Current	(A) Starting/Locked Current			
2TS-200	2/1.5	13.4/16.2	2 x Φ50 x 39.3	Φ 16	Φ 22	1.5		11.9/6.9	53.7/30.7	120	Centrifugal lubrication	67.5
2TS-300H	3/2.2	13.4/16.2	2 x Φ50 x 39.3	Φ 16	Φ 22	1.5		13.5/7.8	64/37	120		70.5
2TS-300	3/2.2	16.2/19.6	2 x Φ55 x 39.3	Φ 16	Φ 22	1.5		14.8/8.5	64/37	120		70
2TS-400H	4/3	16.2/19.6	2 x Φ55 x 39.3	Φ 16	Φ 22	1.5		16.4/9.4	76.6/44.2	120		70
4TS-300	3/2.2	18.1/21.8	4 x Φ41 x 39.3	Φ 16	Φ 22	2	220-240Δ /380-420Y/3/50 265-290Δ /440-480Y/3/60	15.9/9.2	76.6/44.2	120		82
4TS-500H	5/3.7	18.1/21.8	4 x Φ41 x 39.3	Φ 16	Φ 22	2		18.7/10.8	107.7/62.2	120		86
4TS-400	4/3	22.7/27.4	4 x Φ46 x 39.3	Φ 22	Φ 28	2		18.5/10.7	92.7/53.2	120		84
4TS-600H	6/4.4	22.7/27.4	4 x Φ46 x 39.3	Φ 22	Φ 28	2		22.9/13.2	107.7/62.2	120		86
4TS-500	5/3.7	26.8/32.4	4 x Φ50 x 39.3	Φ 22	Φ 28	2		23.4/13.5	107.7/62.2	120		85.5
4TS-700H	7/5.1	26.8/32.4	4 x Φ50 x 39.3	Φ 22	Φ 28	2		27.5/15.9	142.8/82.4	120		88.5
4TS-600	6/4.4	32.5/39.2	4 x Φ55 x 39.3	Φ 22	Φ 28	2		27.5/15.9	142.8/82.4	120	90.5	
4TS-900H	9/6.6	32.5/39.2	4 x Φ55 x 39.3	Φ 22	Φ 28	2		34.5/20	142.8/82.4	120	90.5	
4TS-800	8/5.5	41.3/49.9	4 x Φ60 x 42	Φ 28	Φ 35	2.6		17	49/81	120	134	
4TS-1200H	12/8.8	41.3/49.9	4 x Φ60 x 42	Φ 28	Φ 35	2.6		24	69/113	140	141	
4TS-1000	10/7.5	48.5/58.5	4 x Φ65 x 42	Φ 28	Φ 35	2.6	380-420YY/3/50 440-480YY/3/60	21	59/99	140	139	
4TS-1500H	15/10.5	48.5/58.5	4 x Φ65 x 42	Φ 28	Φ 35	2.6		31	81/132	140	147	
4TS-1200	12/8.8	56.2/67.9	4 x Φ70 x 42	Φ 28	Φ 35	2.6		24	69/113	140	141	

Compressor Model	Nominal Motor Power Hp/kW	Displacement m ³ /h 50/60Hz	Number Of Cylinder x Diameter x Stroke mm	Suction, Discharge Line mm		Oil Volume L	Power Supply V/φ/Hz	Electrical Parameter		Crankcase Heater (220v) W	Oil Supply Method	Weight kg
				DL Discharge Valve	SL Suction Valve			(A) Max Operating Current	(A) Starting/Locked Current			
4TS-2000H	20/15	56.2/67.9	4 x Φ70 x 42	Φ28	Φ42	2.6		37	97/158	140	Centrifugal lubrication	150
4VS-1500	15/10.5	73.6/88.8	4 x Φ70 x 55	Φ28	Φ42	4		31	81/132	140		183
4VS-2500H	25/18.5	73.6/88.8	4 x Φ70 x 55	Φ28	Φ54	4.5		45	116/193	140		203
4VS-2000	20/15	84.5/101.9	4 x Φ75 x 55	Φ28	Φ54	4.5		37	97/158	140		192
4VS-3000H	30/22	84.5/101.9	4 x Φ75 x 55	Φ28	Φ54	4.5		53	135/220	140		206
6WS-2500	25/18.5	110.5/133.4	6 x Φ70 x 55	Φ35	Φ54	4.75	380-420YY/3/50	45	116/193	140	Forced-lubrication	224
6WS-3500H	35/25.5	110.5/133.4	6 x Φ70 x 55	Φ42	Φ54	4.75	440-480YY/3/60	61	147/262	140		235
6WS-3000	30/22	126.8/153.0	6 x Φ75 x 55	Φ35	Φ54	4.75		53	135/220	140		228
6WS-4000H	40/30	126.8/153.0	6 x Φ75 x 55	Φ42	Φ54	4.75		78	180/323	140		238
6WS-4000	40/30	151.6/183.0	6 x Φ82 x 55	Φ42	Φ54	4.75		78	180/323	140		239
6WS-5000H	50/37	151.6/183.0	6 x Φ82 x 55	Φ42	Φ54	4.75		92	226/404	140		241
6WDS-20.2	20/15	73.6/36.9 88.8/44.5	6 x Φ70/70 x 55	Φ35	Φ42	4.75		37	97/158	140		220
6WDS-25.2	25/18.5	84.5/42.3 101.9/51.1	6 x Φ75/75 x 55	Φ35	Φ42	4.75		45	116/193	140		233
6WDS-30.2	30/22	101.1/50.5 122.0/60.9	6 x Φ82/82 x 55	Φ35	Φ42	4.75		53	135/220	140		234

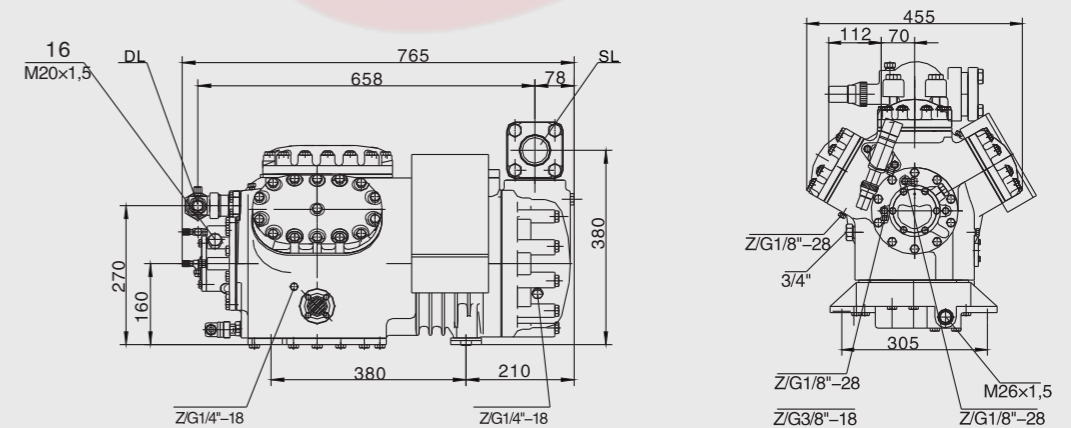
2CS-300---3CS-1500



4S151D---4S301G

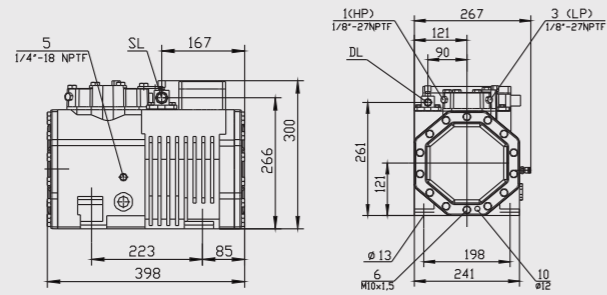


6S251D---6S501G

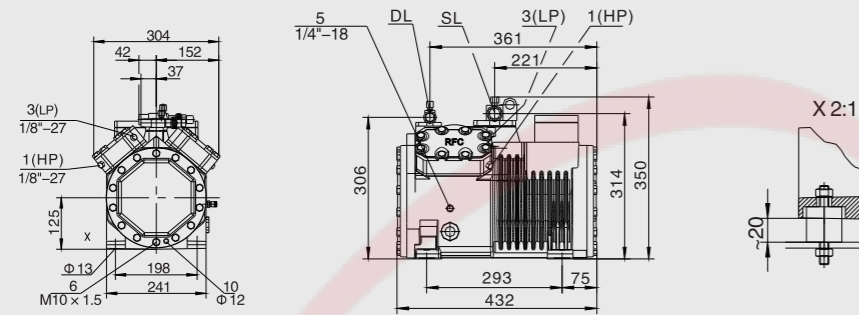




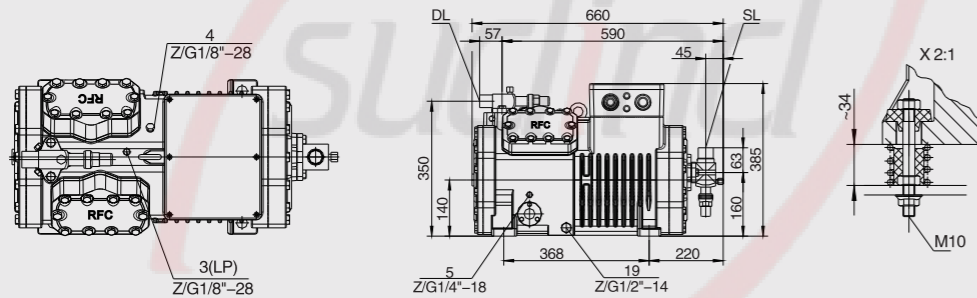
▶ 2TS-200---2TS-400H



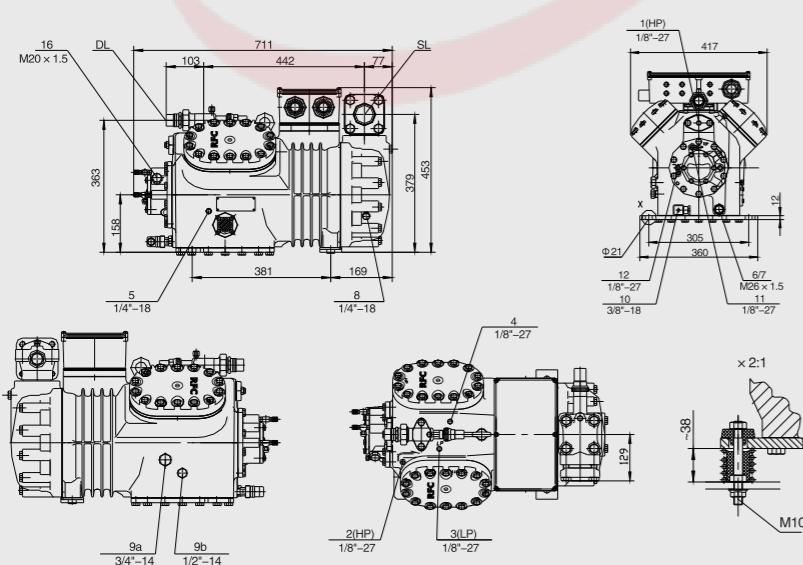
▶ 4TS-300---4TS-900H



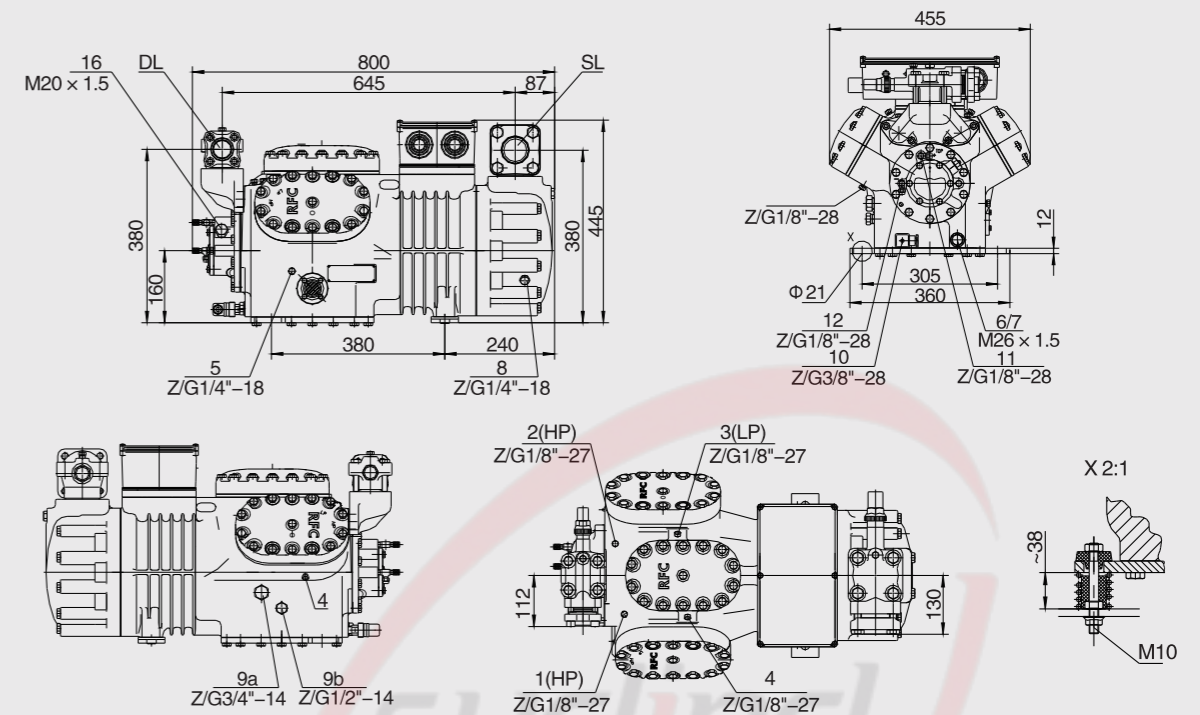
▶ 4TS-300---4TS-900H



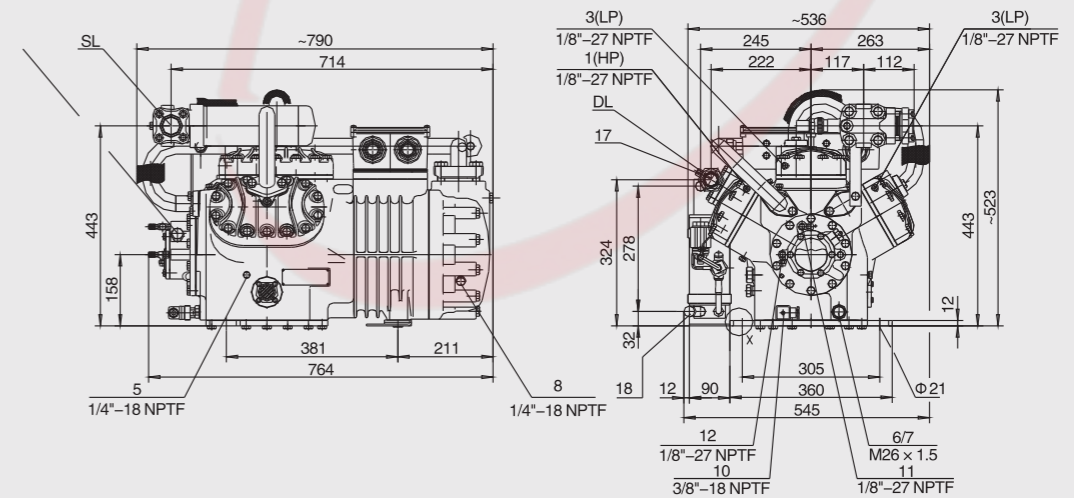
▶ 4VS-1500---4VS-3000H



▶ 6WS-2500---6WS-5000H



▶ 6WDS-20.2---6WDS-30.2



Connection Positions

- | | |
|---------------------------------|---|
| 1.High pressure connection(HP) | 9a.Gas equalisation(parallel operation) |
| 2.Discharge gas temp.sensor(HP) | 9b.Discharge gas temp.sensor(HP) |
| 3.Low pressure connection(LP) | 10.Crankcase heater |
| 4.CIC System:spray nozzle | 11.Oil pessure connection+ |
| 5.Oil fill plug | 12.Oil pessure connection- |
| 6.Oil drain | 16.Connection for oil monitoring(Delta-P) |
| 7.Oil filter(magnetic screw) | 21.Connection for oil service valve |
| 8.Oil return(oil separator) | SL.Connection for suction valve |
| | DL.Connection for discharge valve |





Condensing Model Temperature °C	Refrigerating Capacity Qo(W)											Power Consumption Pe(kW)											
	↓	Evaporating Temperature(°C)											Evaporating Temperature(°C)										
		7.5	5	0	-5	-10	-15	-20	-25	-30	-35	-40	-45	-50	-55	-60	-65	-70					
2CS-500	30	24000	22200	18600	15400	12600	10200	8500	6700	5300	4000	3000	31.46	29.74	27.69	25.37	22.84	20.14	17.34	14.49	11.63		
	40	20400	18900	15800	13100	10700	8700	7200	5700	4500	3400	2600	36.00	33.43	30.59	27.55	24.36	21.06	17.73	14.40	11.14		
2CS-800	30	31400	28700	24000	20000	16400	13400	10700	8500	6500	4900	3700	36.68	33.08	29.33	25.49	21.62	17.76	13.98				
	40	26400	24100	20200	16800	13800	11300	9000	7100	5500	4200	3100	36.68	33.08	29.33	25.49	21.62	17.76	13.98				
2CS-1000	30	44800	44200	35100	29000	23900	19400	15600	12300	9500	7200	5300	37.22	34.43	31.47	28.40	25.28	22.15	19.09	16.14			
	40	38100	35600	29800	24600	20300	16500	13200	10500	8100	6100	4500	41.30	37.60	33.83	30.02	26.24	22.53	18.97	15.59			
3CS-1500	30	69000	64500	54300	45200	37300	30500	25600	19600	15300	11700	8900	41.30	37.60	33.83	30.02	26.24	22.53	18.97	15.59			
	40	58700	54800	46200	38400	31700	25900	21800	16700	13000	9900	7500	41.30	37.60	33.83	30.02	26.24	22.53	18.97	15.59			
4S151D	30	Qo	15.78	14.84	13.79	12.63	11.40	10.10	8.77	7.43	6.10	8.350	7.43	6.10									
	40	Qo	18.16	16.80	15.34	13.82	12.25	10.65	9.05	7.47	5.93	9.240	8.350	7.43	6.10								
	50	Qo	18.50	16.67	14.80	12.91	11.03	9.17	7.37	9.17	7.37												
4S251G	30	Qo	16.14	16.07	15.72	15.14	14.36	13.41	12.32	11.11	9.81	8.46	7.08	8.320	7.08								
	40	Qo	19.56	19.22	18.37	17.32	16.11	14.76	13.31	11.78	10.20	8.60	7.00	8.320	7.00								
	50	Qo	22.78	22.18	20.84	19.33	17.71	15.98	14.18	12.34	10.49	8.65	6.86	8.65	6.86								
4S201D	30	Qo	18.22	17.12	15.89	14.55	13.12	11.62	10.08	8.53	6.97	9.260	8.53	6.97									
	40	Qo	20.94	19.36	17.68	15.93	14.13	12.30	10.47	8.65	6.89	9.260	8.65	6.89									
	50	Qo	21.25	19.15	17.02	14.87	12.73	10.63	8.60	8.60	8.60												
4S301G	30	Qo	19.21	19.07	18.57	17.81	16.84	15.70	14.41	13.02	11.57	10.09	8.61	9.850	8.61								
	40	Qo	23.37	22.88	21.73	20.38	18.88	17.26	15.56	13.81	12.06	10.33	8.68	9.850	8.68								
	50	Qo	27.01	26.20	24.46	22.58	20.60	18.56	16.50	14.45	12.45	10.54	8.76	8.76	8.76								
6S251D	30	Qo	23.50	22.15	20.58	18.83	16.94	14.95	12.89	10.81	8.75	11.850	8.75										
	40	Qo	27.20	25.18	23.00	20.68	18.28	15.82	13.36	10.92	8.54	11.850	8.54										
	50	Qo	27.78	25.02	22.18	19.31	16.43	13.59	10.93	10.93	10.93												
6S351G	30	Qo	23.04	21.77	20.29	18.64	16.83	14.91	12.89	10.81	12.480	10.81											
	40	Qo	26.14	24.30	22.29	20.14	17.88	15.53	13.13	10.71	12.480	10.71											
	50	Qo	28.96	26.56	24.04	21.41	18.71	15.96	13.20	10.45	10.45	10.45											
6S321D	30	Qo	26.77	2.507	23.21	21.20	19.08	16.84	14.54	12.17	9.76	13.210	9.76										
	40	Qo	30.86	28.50	26.00	23.38	20.68	17.90	15.07	12.21	9.34	13.210	9.34										
	50	Qo	31.43	28.35	25.18	21.94	18.67	15.37	12.06	12.06	12.06												
6S401G	30	Qo	27.20	25.57	23.77	21.82	19.75	17.56	15.28	12.93	14.940	12.93											
	40	Qo	30.62	28.38	26.02	23.54	20.96	18.30	15.57	12.80	14.940	12.80											
	50	Qo	33.73	30.91	27.99	24.99	21.92	18.79	15.63	12.46	12.46	12.46											

Suction gas temperature 20°C, 50Hz, without liquid subcooling
 Additional cooling or limited suction gas temperature.



Condensing Model Temperature °C	Refrigerating Capacity Qo(W)											Power Consumption Pe(kW)												
	↓	Evaporating Temperature(°C)											Evaporating Temperature(°C)											
		7.5	5	0	-5	-10	-15	-20	-25	-30	-35	-40	-45	-50	-55	-60	-65	-70						
6WS-4000	30	118800	98100	80100	64700	51400	40100	30500	22400	15600	31.46	29.74	27.69	25.37	22.84	20.14	17.34	14.49	11.63					
	40	100900	83100	67600	54300	42800	32950	24600	17570	11680	36.00	33.43	30.59	27.55	24.36	21.06	17.73	14.40	11.14					
6WS-5000H	30	184400	169300	142200	118600	98100	80400	65200	52100	40900	31400	23450	36.24	35.76	34.49	32.87	30.95	28.79	26.43	23.94	21.38	18.79	16.23	
	40	157900	145000	121700	101300	83600	68300	55000	43600	33850	25600	18620	43.13	42.10	39.80	37.22	34.43	31.47	28.40	25.28	22.15	19.09	16.14	
2TS-200	30	10110	8340	6810	5490	4360	3390	2570	1880	1300	3.15	2.94	2.7	2.44	2.17	1.88	1.58	1.28	0.98					
	40	8490	6980	5670	4530	3560	2720	2020	1420	920	3.55	3.25	2.93	2.59	2.25	1.9	1.54	1.19						
2TS-300H	30	Qo	15940	14630	12260	10200	8420	6870	5540	4400	3420	2590	1890	2.79	2.8	2.45	2.28	2.08	1.86	1.62	1.37			
	40	Qo	13510	12390	10380	8610	7080	5750	4600	3610	2760	2040	1430	3.49	3.44	3.32	3.16	2.96	2.74	2.49	2.21	1.92	1.62	1.31
	50	Qo	11110	10180	8500	7030	5740	4630	3660	2820	2110	1510	1000	4.11	4.02	3.8	3.55	3.27	2.96	2.63	2.29	1.93	1.57	1.2
2TS-300	30	Qo	12470	10290	8400	6780	5380	4190	3180	2330	1630	3.33	3.15	2.95	2.72	2.48	2.21	1.93	1.64	1.35				
	40	Qo	10510	8650	7040	5640	4440	3420	2550	1810	1200	3.85	3.58	3.29	2.98	2.65	2.32	1.97	1.62	1.27				
	50	Qo	8590	7050	5710	4350	3490	2690	1950	1340	4.35	3.98	3.60	3.21	2.80	2.39	1.98	1.57						
2TS-400H	30	Qo	19440	17840	14960	12450	10280	8400	6770	5380	4190	3170	2320	3.48	3.48	3.42	3.32	3.17	2.98	2.76	2.50	2.23	1.94	1.64
	40	Qo	16470	15110	12660	10520	8660	7050	5650	4450	3420	2540	1810	4.31	4.25	4.08	3.86	3.61	3.33	3.02	2.69	2.34	1.98	1.61
	50	Qo	13550	12430	10400	8620	7070	5720	4550	3540	2690	1960	1340	5.08	4.96	4.68	4.36	4.01	3.63	3.23	2.82	2.40	1.98	1.55
4TS-300	30	Qo	13720	11330	9260	7470	5940	4630	3510	2580	1800	3.85	3.66	3.44	3.18	2.90	2.58	2.24	1.88	1.50				
	40	Qo	11560	9520	7740	6200	4880	3750	2790	1980	1310	4.42	4.10	3.76	3.40	3.03	2.63	2.23	1.82	1.40				
	50	Qo	9450	7740	6260	4970	3860	2910	2110	1430	4.91	4.48	4.04	3.59	3.13	2.67	2.22	1.77						
4TS-500H	30	Qo	21550	19790	16590	13810	11400	9320	7520	5970	4650	3530	2580	3.78	3.79	3.76	3.67	3.52	3.32	3.07	2.79	2.48	2.15	1.81
	40	Qo	18240	16740	14020	11650	9580	7790	6240	4900	3760	2790	1970	4.65	4.60	4.46	4.25	3.99	3.69	3.35	2.98	2.59	2.18	1.76
	50	Qo	14970	13730	11470	9500	7780	6280	4980	3860	2900	2090	1410	5.44	5.33	5.07	4.75	4.39	3.98	3.55	3.10	2.62	2.14	1.65
4TS-400	30	Qo	17330	14290	11660	9400	7450	5800	4390	3210	2220	4.61	4.39	4.12	3.81	3.45	3.06	2.65	2.22	1.78				
	40	Qo	14440	11870	9650	7720	6070	4650	3450	2440	1590	5.28	4.93	4.53	4.10	3.64	3.15	2.65	2.14	1.63				
	50	Qo	11650	9550	7720	6130	4760	3590	2590	1750	5.86	5.39	4.87	4.33	3.77	3.19	2.60	2.02						
4TS-600H	30	Qo	27500	25200	21100	17580	14500	11830	9530	7550	5860	4420	3210	4.73	4.75	4.73	4.62	4.43	4.17	3.85	3.48	3.08	2.65	2.21
	40	Qo	23150	21250	17780	14750	12120	9840	7860	6160	4700	3470	2420	5.87	5.81	5.62	5.35	5.01	4.61	4.17	3.68	3.17	2.65	2.12
	50	Qo	18930	17360	14490	11980	9790	7890	6240	4820	3600	2570	1710	6.86	6.72	6.37	5.95	5.47	4.95	4.38	3.79	3.19	2.58	1.97
4TS-500	30	Qo	21100	17420	14220	11470	9100	7080	5370	3930	2730	5.52	5.29	4.99	4.62	4.18	3.70	3.19	2.66	2.11				
	40	Qo	17650	14520	11810	9460	7440	5720	4250	3010	1980	6.34	5.95	5.50	4.99	4.43	3.83	3.22	2.60	1.98				
	50	Qo	14300	11730	9490	7550	5880	4440	3220	2190	7.07	6.53	5.93											



Performance Data R404A/R507A

Condensing Model Temperature °C	Refrigerating Capacity Qo(W)											Power Consumption Pe(kW)																											
	Evaporating Temperature(°C)																																						
	↓	7.5	5	0	-5	-10	-15	-20	-25	-30	-35	-40	-45	-50	-55	-60	-65	-70	↓	7.5	5	0	-5	-10	-15	-20	-25	-30	-35	-40	-45	-50	-55	-60	-65	-70			
4TS-700H	30	Qo	32600	29900	25000	20800	17120	13950	11210	8860	6860	5160	3720						Pe	5.49	5.52	5.51	5.39	5.18	4.88	4.52	4.10	3.63	3.12	2.59									
	40	Qo	27500	25200	21100	17490	14350	11630	9270	7250	5510	4040	2800							Pe	6.81	6.75	6.55	6.26	5.88	5.43	4.91	4.35	3.74	3.11	2.47								
		50	Qo	22500	20600	17210	14230	11620	9350	7380	5690	4240	3010	1980							Pe	7.98	7.83	7.46	7.00	6.46	5.86	5.20	4.50	3.78	3.03	2.28							
4TS-600	30	Qo				24950	20650	16900	13670	10900	8540	6530	4840	3420					Pe				6.65	6.36	5.98	5.52	5.01	4.45	3.86	3.25	2.63								
	40	Qo				21100	17420	14200	11420	9030	6980	5240	3770	2540						Pe				7.64	7.17	6.63	6.03	5.37	4.67	3.94	3.21	2.47							
		50	Qo				17320	14220	11520	9190	7180	5460	4000	2770							Pe				8.61	7.98	7.28	6.51	5.71	4.87	4.01	3.14							
4TS-900H	30	Qo	38800	35600	29900	24900	20600	16880	13660	10890	8530	6530	4840						Pe	6.85	6.87	6.82	6.64	6.36	5.98	5.53	5.01	4.45	3.86	3.25									
	40	Qo	32850	30150	25300	21100	17410	14210	11440	9050	7000	5250	3770							Pe	8.35	8.27	8.01	7.64	7.18	6.63	6.02	5.36	4.66	3.94	3.21								
		50	Qo	27050	24850	20900	17380	14310	11620	9280	7240	5480	3960	2660							Pe	9.80	9.62	9.16	8.61	7.98	7.28	6.52	5.71	4.87	4.01	3.14							
4TS-800	30	Qo				33050	27250	22200	17890	14170	10990	8300	6040	4150					Pe				8.74	8.17	7.55	6.87	6.16	5.41	4.64	3.86	3.07								
	40	Qo				27750	22800	18480	14760	11560	8830	6520	4580	2960						Pe				9.86	9.05	8.20	7.34	6.46	5.57	4.66	3.74	2.81							
		50	Qo				18350	14790		11710	9070	6800	4880	3260							Pe				9.74	8.71	7.68	6.65	5.61	4.55	3.46								
4TS-1200H	30	Qo	51500	47200	39450	32750	26900	21900	17550	13830	10650	7960	5700						Pe	8.63	8.63	8.49	8.22	7.81	7.29	6.68	6.00	5.26	4.48	3.68									
	40	Qo	43500	39850	33300	27550	22600	18260	14530	11320	8590	6270	4320							Pe	10.66	10.47	9.99	9.40	8.72	7.96	7.15	6.29	5.40	4.51	3.62								
		50	Qo	35400	32400	27050	22350	18230	14650	11550	8880	6590	4650	3020							Pe	12.28	11.93	11.17	10.33	9.42	8.45	7.45	6.42	5.39	4.36	3.36							
4TS-1000	30	Qo				38300	31600	25750	20700	16390	12690	9550	6910	4690					Pe				10.07	9.37	8.64	7.87	7.06	6.22	5.34	4.43	3.48								
	40	Qo				32300	26500	21500	17130	13400	10220	7520	5240	3350						Pe				11.39	10.45	9.47	8.45	7.41	6.35	5.30	4.25	3.22							
		50	Qo				21500	17290		13660	10550	7890	5640	3760							Pe				11.26	10.04	8.80	7.53	6.28	5.05	3.88								
4TS-1500H	30	Qo	61500	56400	47100	39050	32100	26000	20800	16320	12490	9240	6500						Pe	10.23	10.19	9.96	9.58	9.06	8.43	7.70	6.90	6.04	5.14	4.23									
	40	Qo	52200	47850	39950	33050	27050	21850	17360	13490	10190	7390	5020							Pe	12.41	12.14	11.51	10.79	9.99	9.11	8.18	7.19	6.17	5.13	4.07								
		50	Qo	42600	39000	32500	26750	21800	17430	13680	10460	7710	5380	3420							Pe	14.27	13.78	12.78	11.73	10.66	9.55	8.43	7.28	6.11	4.94	3.75							
4TS-1200	30	Qo				44000	36250	29550	23750	18810	14580	11000	7980	5470					Pe				11.88	11.15	10.30	9.35	8.35	7.30	6.23	5.19	4.18								
	40	Qo				37300	30600	24800	19810	15510	11840	8740	6120	3950						Pe				13.39	12.33	11.18	9.97	8.71	7.44	6.19	4.99	3.87							
		50	Qo				24850	20000		15820	12210	9120	6510	4300							Pe				13.28	11.83	10.37	8.91	7.45	6.01	4.60								
4TS-2000H	30	Qo	71000	65100	54500	45250	37200	30250	24250	19070	14640	10860	7660						Pe	12.24	12.20	11.94	11.47	10.82	10.04	9.14	8.16	7.12	6.07	5.02									
	40	Qo	60500	55400	46250	38200	31250	25200	20000	15530	11730	8510	5820							Pe	14.78	14.49	13.79	12.91	11.91	10.80	9.62	8.40	7.16	5.95	4.78								
		50	Qo	49900	45650	37900	31100	25250	20150	15760	12010	8840	6180	3980							Pe	16.78	16.28	15.18	13.95	12.63	11.24	9.81	8.38	6.97	5.63	4.37							
4VS-1500	30	Qo				58500	48400	39700	32200	25750	20250	15560	11630	8350					Pe				15.78	14.84	13.79	12.63	11.40	10.10	8.77	7.43	6.10								
	40	Qo				49850	41150	33600	27100	21500	16730	12660	9240	6380						Pe				18.16	16.80	15.34	13.82	12.25	10.65	9.05	7.47	5.93							
		50	Qo				33950	27600		22050	17330	13270	9820	6920							Pe				18.50	16.67	14.80	12.91	11.03	9.17	7.37								
4VS-2500H	30	Qo	90700	83200	69700	57900	47750	38950	31350	24800	19210	14460	10460						Pe	16.14	16.07	15.72	15.14	14.36	13.41	12.32	11.11	9.81	8.46	7.08									
	40	Qo	77400	71000	59500	49400	40650	33000	26450	20800	15930	11800	8320							Pe	19.56	19.22	18.37	17.32	16.11	14.76	13.31	11.78	10.20	8.60	7.00								
		50	Qo	64500	59100	49500	41000	33600	27200	21600	16830	12740	9260	6340							Pe	22.78	22.18	20.84	19.33	17.71	15.98	14.18	12.34	10.49	8.65	6.86							

Suction gas temperature 20°C, without liquid subcooling.
 Additional cooling or limited suction gas temperature.



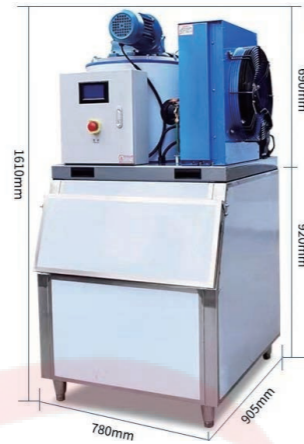
Performance Data R404A/R507A

Condensing Model Temperature °C	Refrigerating Capacity Qo(W)											Power Consumption Pe(kW)																								
	Evaporating Temperature(°C)																																			
	↓	7.5	5	0	-5	-10	-15	-20	-25	-30	-35	-40	-45	-50	-55	-60	-65	-70	↓	7.5	5	0	-5	-10	-15	-20	-25	-30	-35	-40	-45	-50	-55	-60	-65	-70
4VS-2000	30	Qo				67100	55500	45400	36750	29350	23000	17600	13060	9260					Pe				18.22	17.12	15.89	14.55	13.12	11.62	10.08	8.53	6.97					
	40	Qo				57200	47300	38700	31200	24800	19250																									



Modèle : SUD-ice-300 kg

Type de glace : Glace en flocons/glace pilée
Tension : 220 V 50 Hz
Puissance : 1,49 kW
Réfrigérant : R22
Capacité de Production : 300 kg/jour
Chambre de stockage : 150 kg
Méthode de réfrigération : Refroidissement à l'air
Durée de la garantie : 12 mois



Modèle :SUD-ice-500



Type de glace : glace en flocons/glace pilée
Tension : 380 V. /50Hz
Puissance moteur : 2,5 KW
Réfrigérant : R404a
Capacité de production : 500 KG/jour
Chambre de stockage : 360 KG
Méthode de réfrigération : Refroidissement à l'air
Durée de la garantie : 12 mois

Modèle : SUD-ice-1T



Type de glace : glace en flocons/glace pilée
Tension : 380V/50Hz
Puissance moteur : 4,3 Kw
Réfrigérant : R404a
Capacité de production :1000kg /jour
Chambre de stockage : 400kg
Methode de réfrigération : refroidissement à l'air
Garantie 12 mois



Modèle : SUD-ice-1,5T

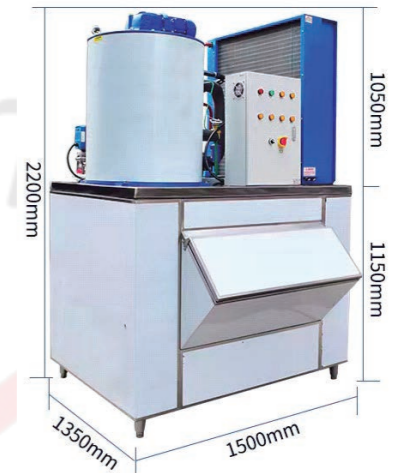


Type de glace : glace en flocons/glace pilée
Tension : 380V/50Hz
Puissance moteur : 6,6 Kw
Réfrigérant : R404a
Capacité de production : 1500kg /jour
Chambre de stockage : 400kg
Methode de réfrigération : refroidissement à l'air
Garantie 12 mois



Modèle : SUD-ice-2T

Type de glace : glace en flocons/glace pilée
Tension : 380V/50Hz
Puissance moteur : 8,31 Kw
Réfrigérant : R404a
Capacité de production : 2000kg /jour
Chambre de stockage : 500kg
Methode de réfrigération : refroidissement à l'air
Garantie 12 mois



Modèle : SUD-ice-3T



Type de glace : glace en flocons/glace pilée
Tension : 380V/50Hz
Puissance moteur : 10,8 Kw
Réfrigérant : R404a
Capacité de production :3000kg /jour
Chambre de stockage : 1000kg
Methode de réfrigération : refroidissement à l'air
Garantie 12 mois



Compressor : MTZ22
cooling capacity : 2.62KW
Power : 2HP
Max. current : 3.06A
Gas : R404
Power : 3-380-50HZ
Condensor area :29m ²
Overall size : 950*750*600



Photo machine



Photo machine 2

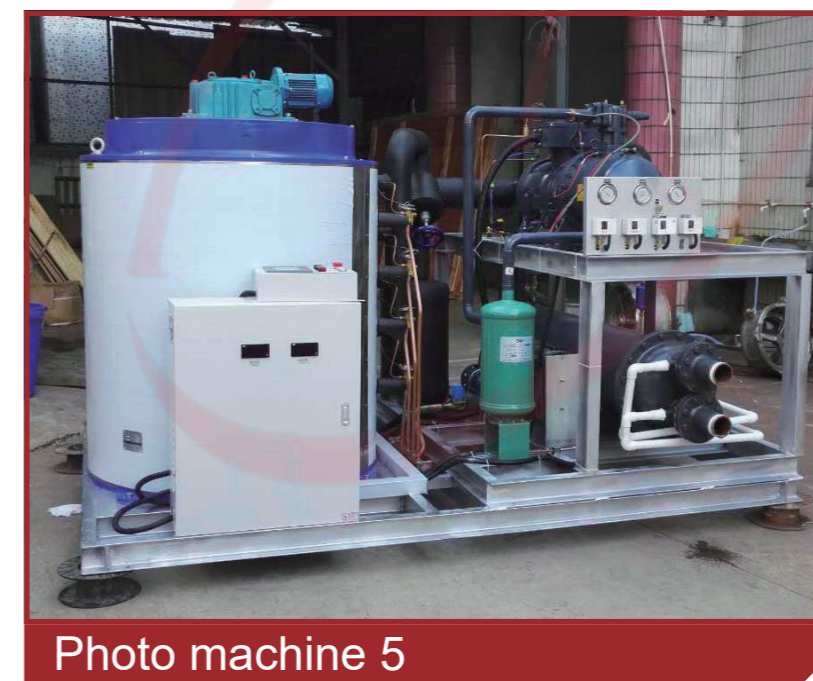


Photo machine 5

